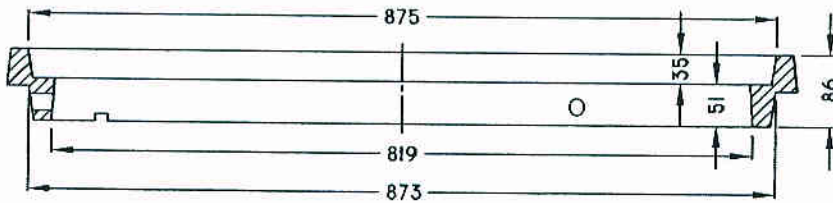
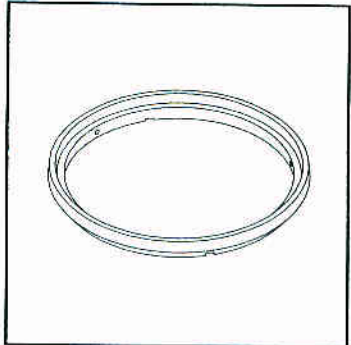
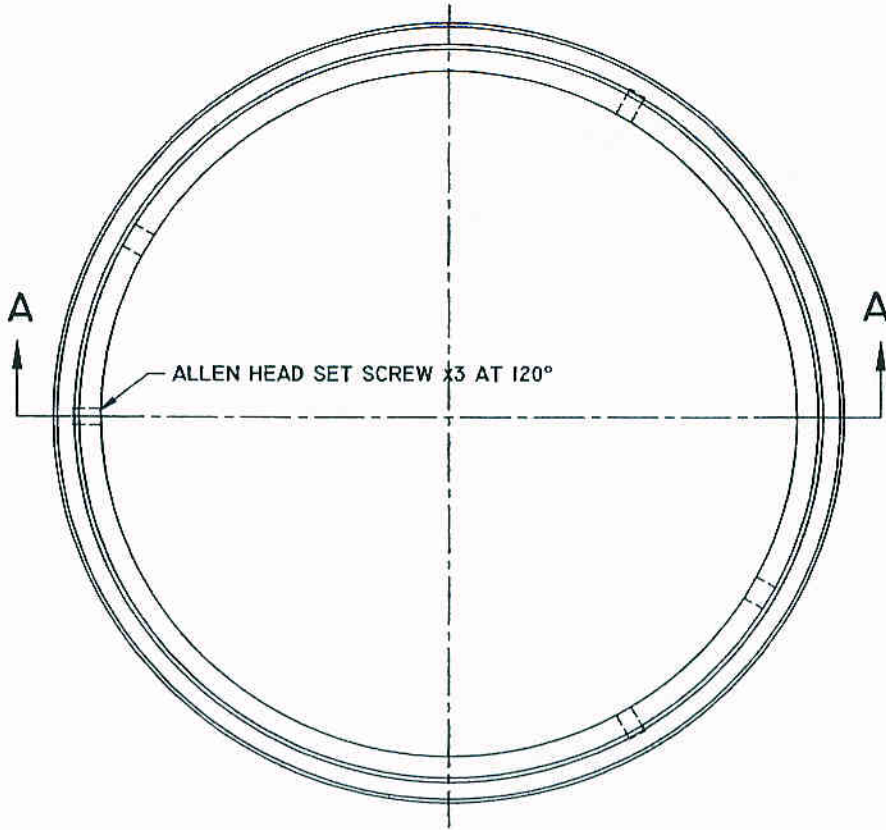




# 2" RISER RING

**TF-113-2"**

PLAN



SECTION A-A

ISO 9001-2000 CERTIFIED

MEASUREMENTS IN MILLIMETERS

# TITAN FOUNDRY

WINNIPEG, MANITOBA