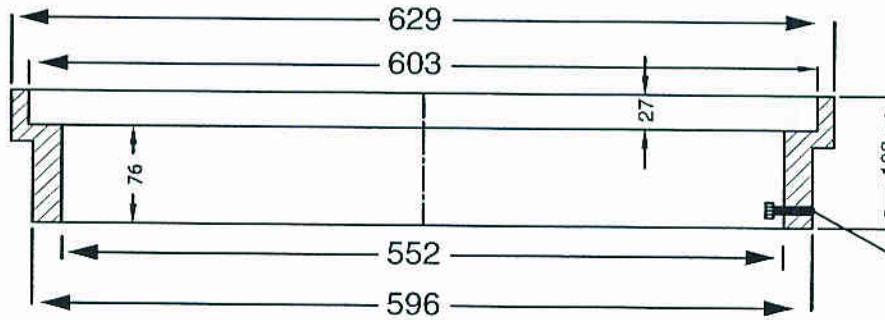
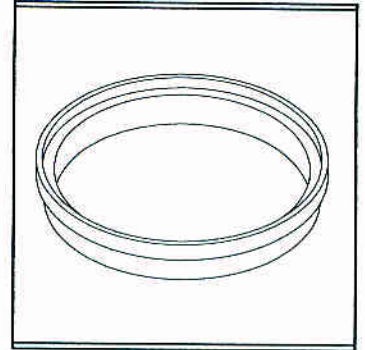
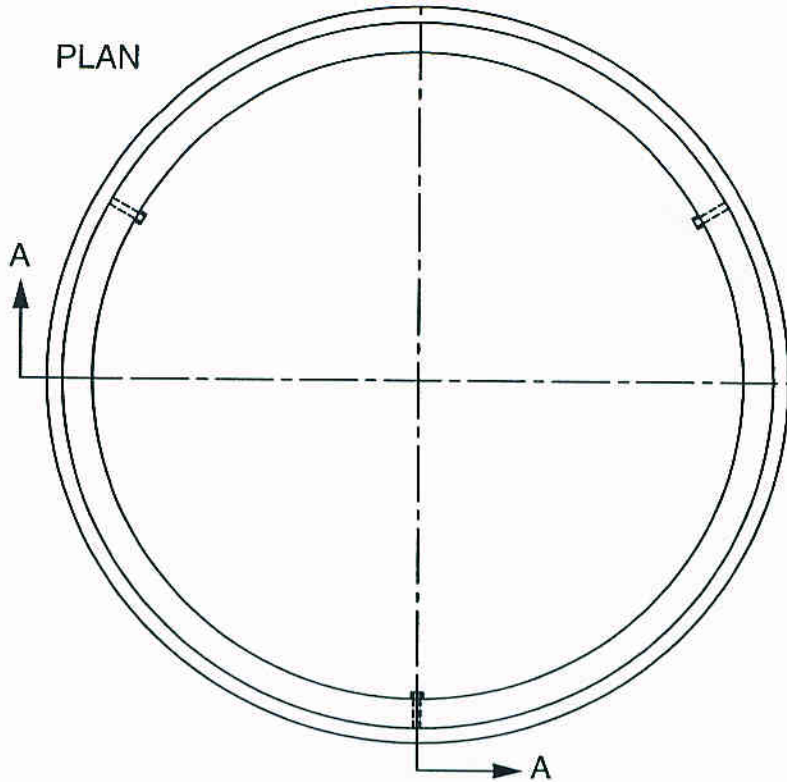




BOLTED RING

TF-112

PLAN



3-M6x30 HEX CAP BOLT - FULL THREAD,
ZINC PLATED AT 120° APART.

SECTION A-A

ISO 9001-2000 CERTIFIED

MEASUREMENTS IN MILLIMETERS

TITAN FOUNDRY

WINNIPEG, MANITOBA