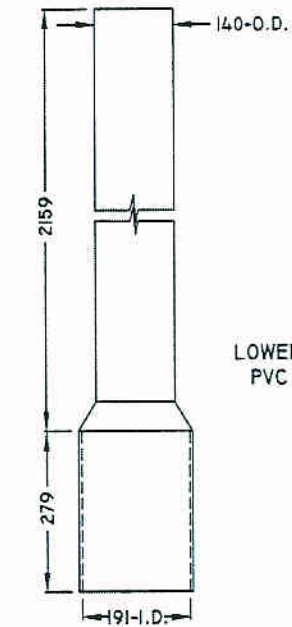
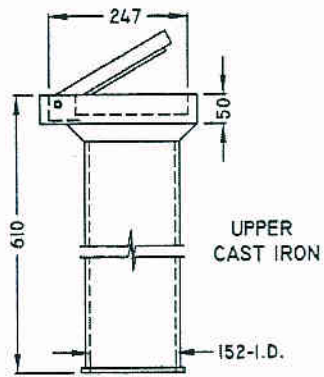
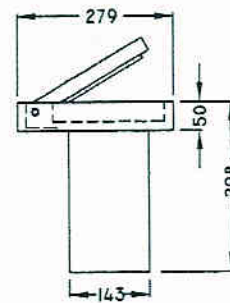




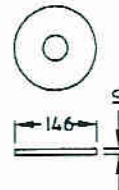
TYPE E COUNTRY VALVE BOX AND COMPONENTS



HINGE COVER
VALVE BOX



EXTENSION



STONE DISC

MEASUREMENTS IN MILLIMETERS

25MM SQ. SOLID STEEL BAR
LENGTH AS REQUIRED

51MM SQ. BOTT. NUT

STANDARD
SPINDLE

MEASUREMENTS IN MILLIMETERS

ISO 9001-2000 CERTIFIED

TITAN FOUNDRY

WINNIPEG, MANITOBA