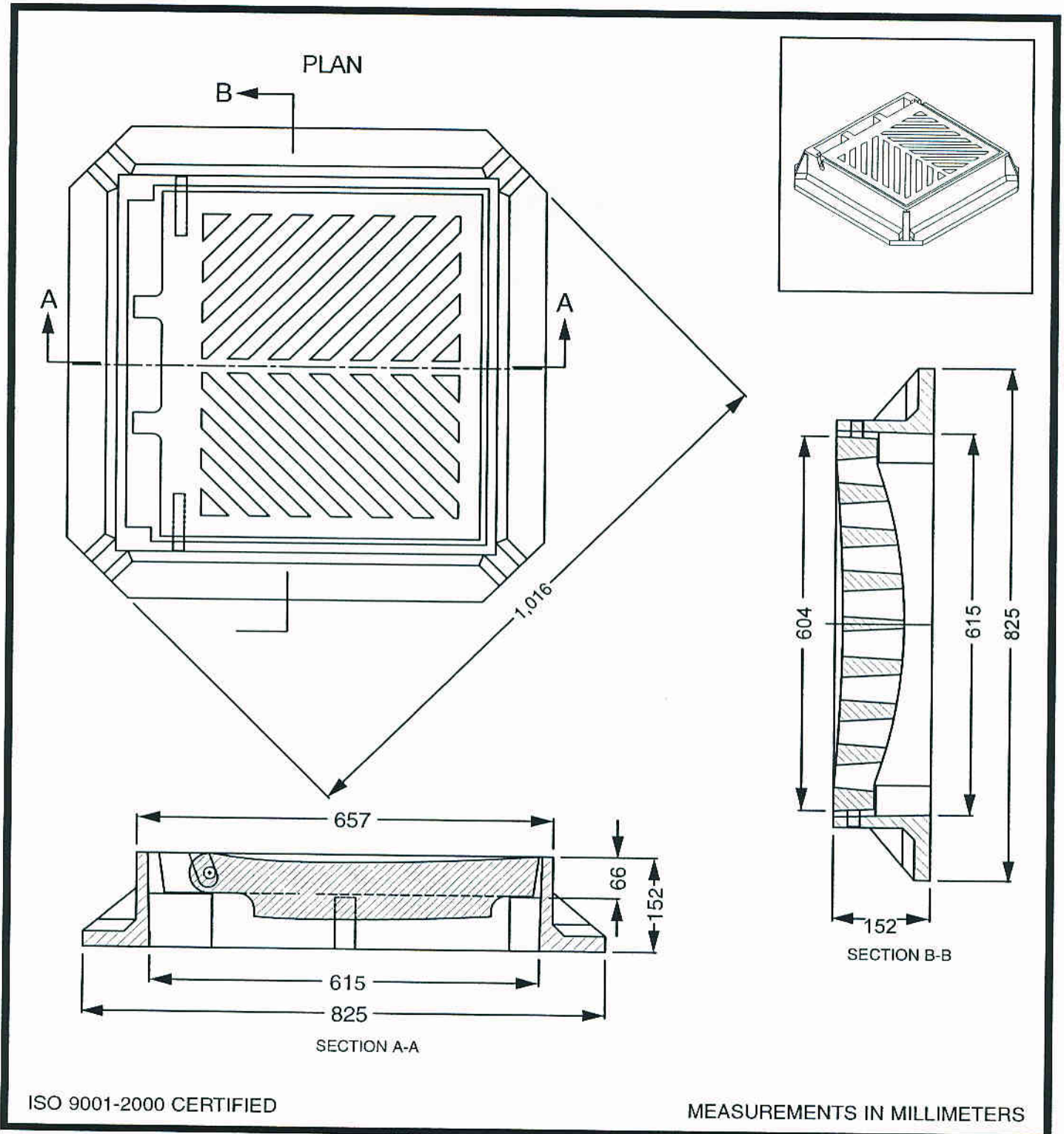




FRAME AND GRATED COVER T.B.

TF-107-6" T.B.



TITAN FOUNDRY

WINNIPEG, MANITOBA