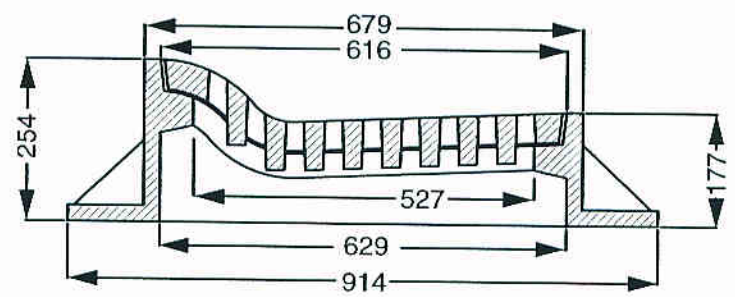
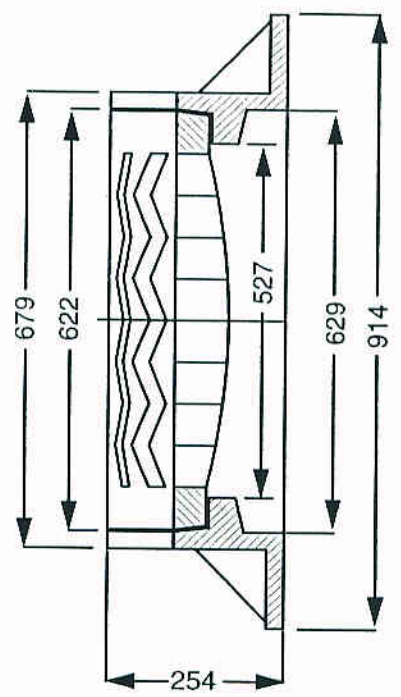
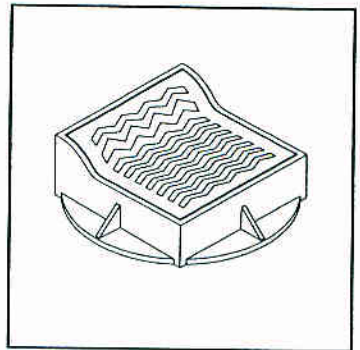
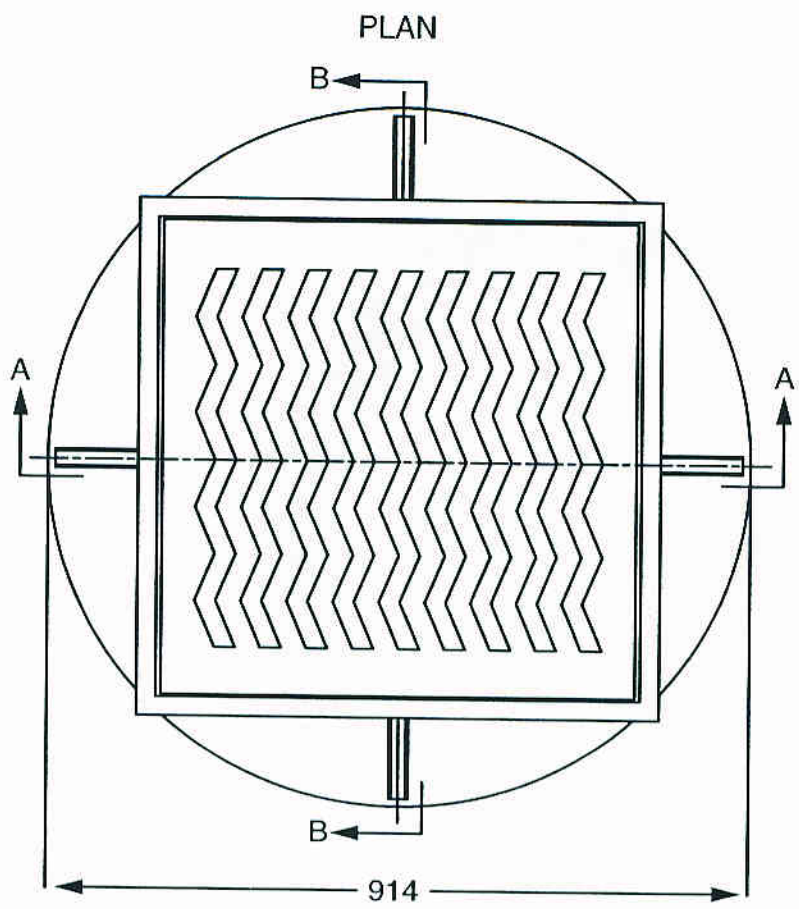




# FRAME AND GRATED COVER

**TF-102**



SECTION A-A

SECTION B-B

ISO 9001-2000 CERTIFIED

MEASUREMENTS IN MILLIMETERS

**TITAN FOUNDRY**  
WINNIPEG, MANITOBA