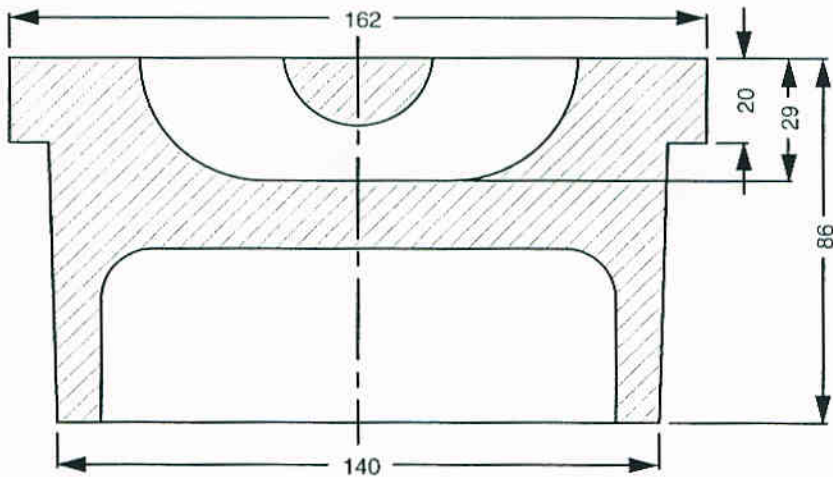
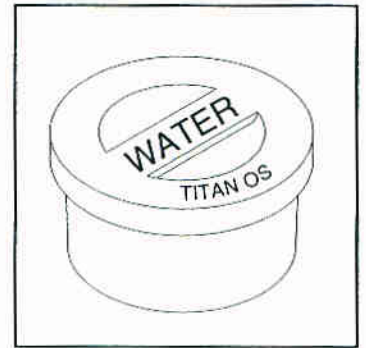
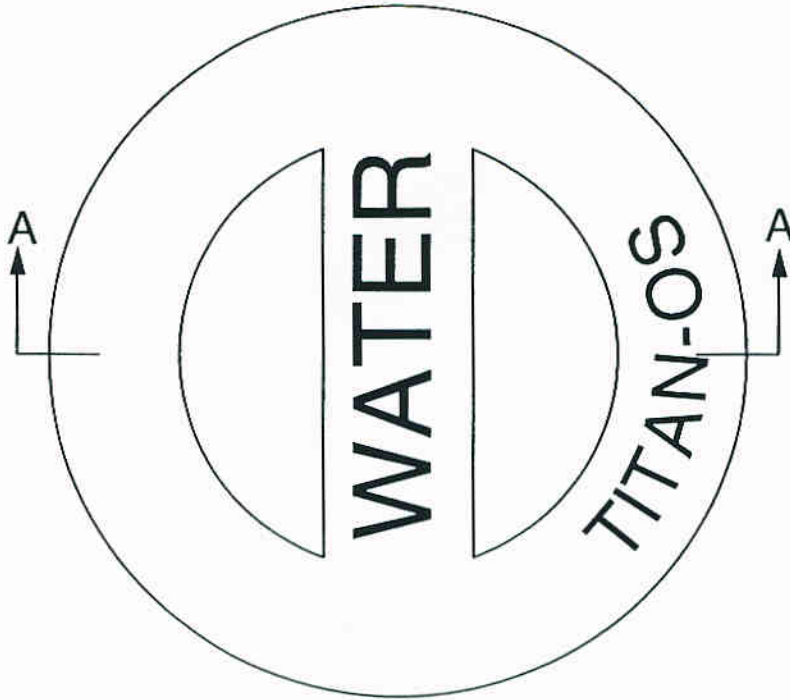




# COS VALVE BOX LID (OS)

**LID - OS**

PLAN



SECTION A-A

ISO 9001-2000 CERTIFIED

MEASUREMENTS IN MILLIMETERS

# TITAN FOUNDRY

WINNIPEG, MANITOBA