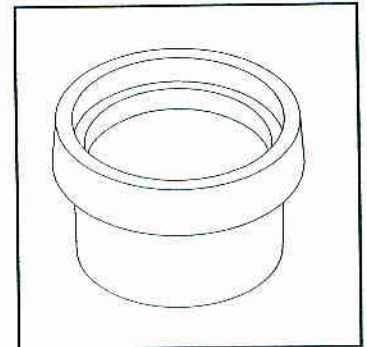
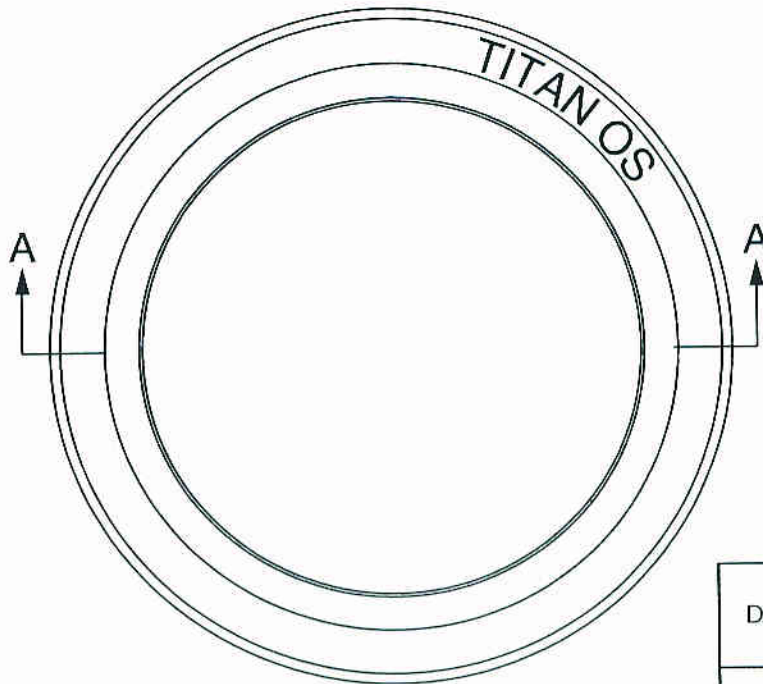




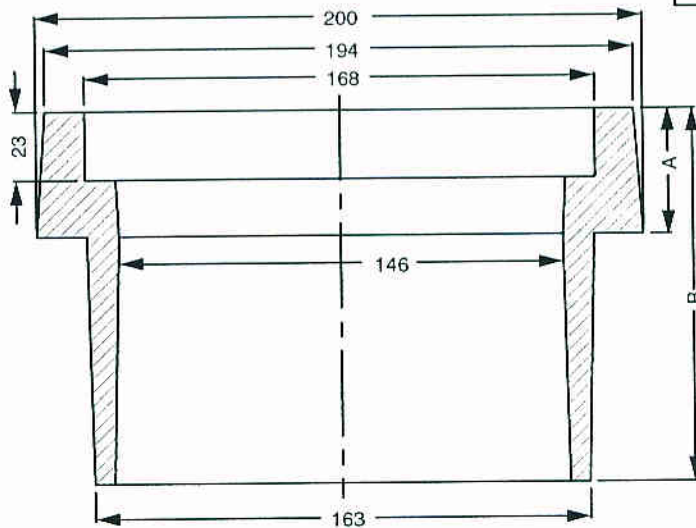
COS OS VALVE BOX RISERS 1" - 4"

VBR

PLAN



DIMENSION	RISER			
	1"	2"	3"	4"
A	35	35	42	42
B	60	74	99	125



SECTION A-A

ISO 9001-2000 CERTIFIED

MEASUREMENTS IN MILLIMETERS

TITAN FOUNDRY

WINNIPEG, MANITOBA