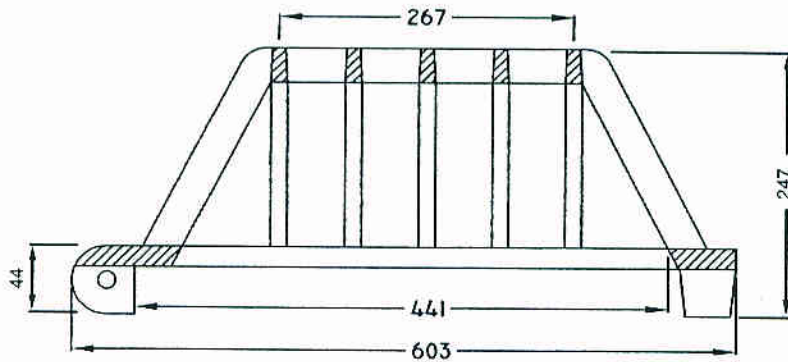
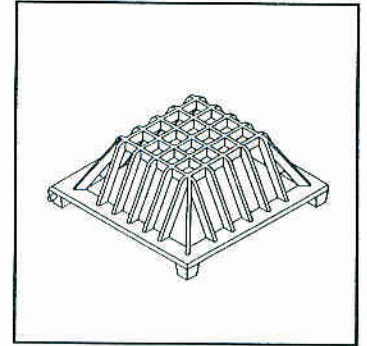
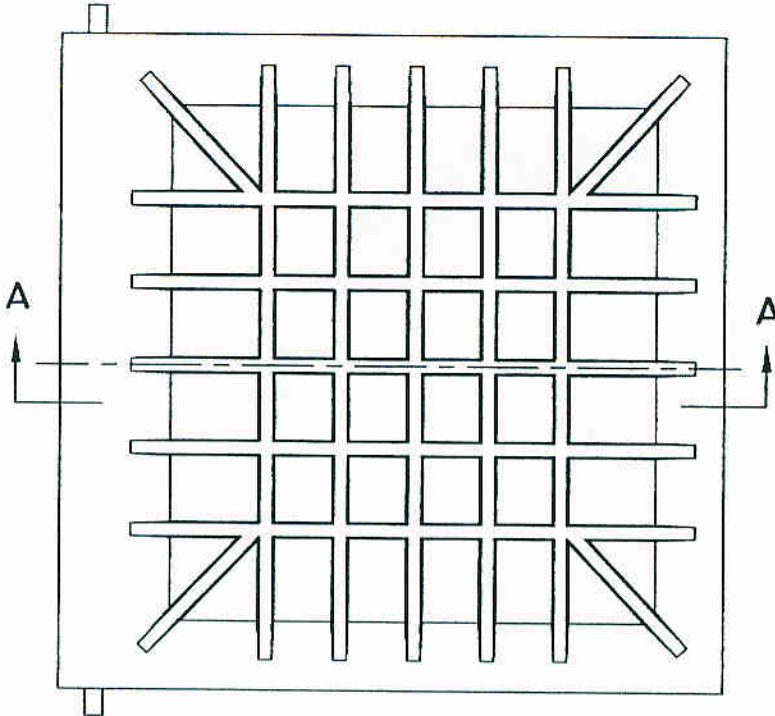




BIRDCAGE GRATE FOR TF-100 FRAME

TF-100 OBC

PLAN



SECTION A-A

ISO 9001-2000 CERTIFIED

MEASUREMENTS IN MILLIMETERS

TITAN FOUNDRY

WINNIPEG, MANITOBA