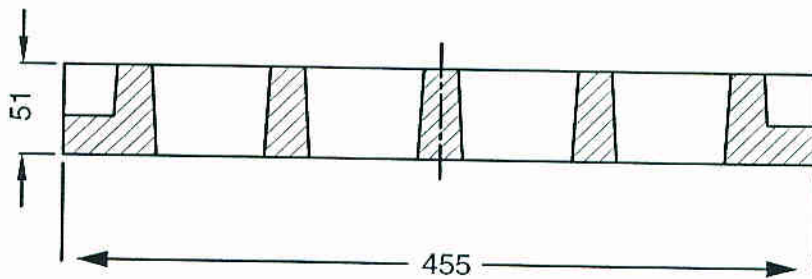
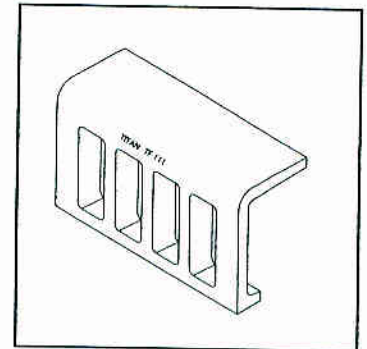
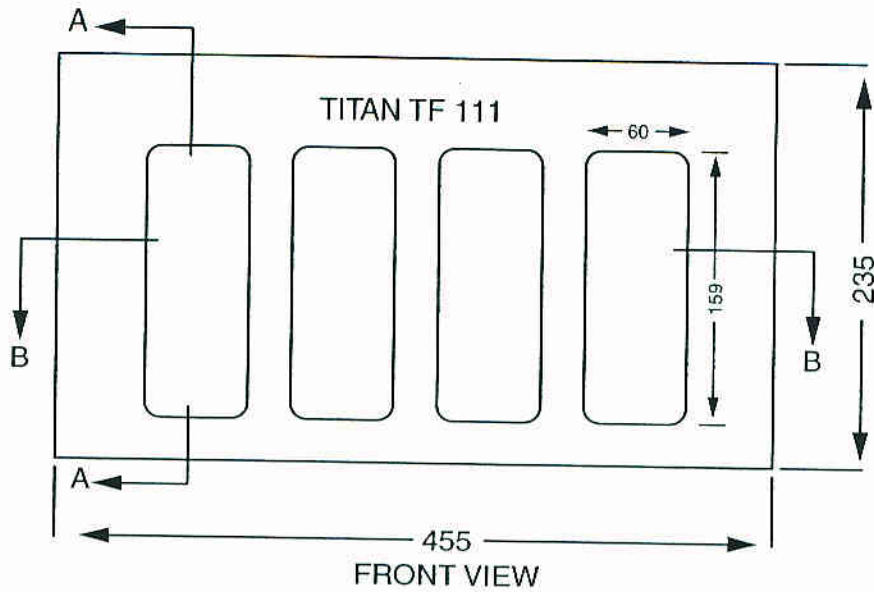




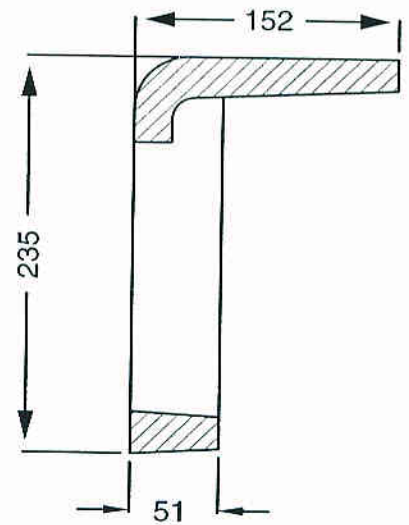
4 HOLE CURB INLET

TF-111

PLAN



SECTION B-B



SECTION A-A

ISO 9001-2000 CERTIFIED

MEASUREMENTS IN MILLIMETERS

TITAN FOUNDRY

WINNIPEG, MANITOBA