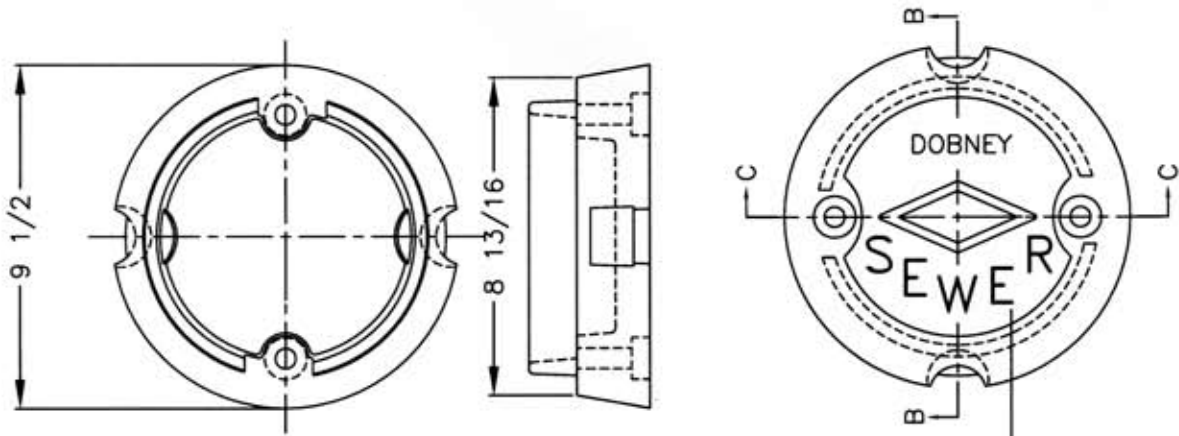


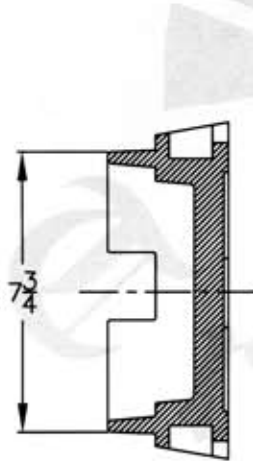


Please note that drawings are approximate and not to be used for engineering purposes – please contact us for specific dimensions.

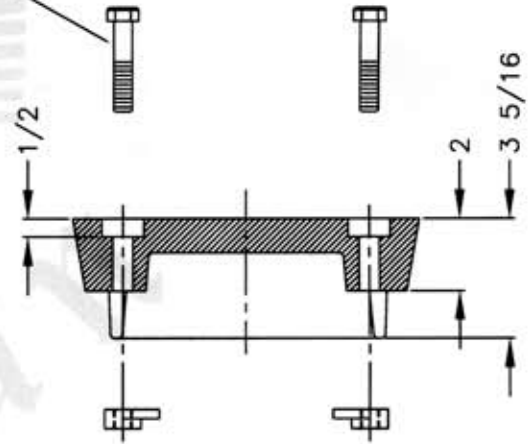


1" HIGH LETTERING

1/2" x 2 3/4"  
STAINLESS STEEL  
BOLTS 2 PLACES



SECTION B-B



SECTION C-C



LOCKING TAB CAST BRASS

RATING—HWY LOAD

VALVE BOX LID

NO.  
MR-8

**TROJAN INDUSTRIES INC.**  
CALGARY • EDMONTON, ALBERTA