

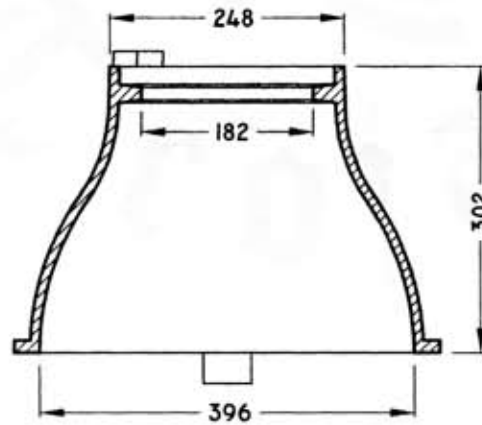
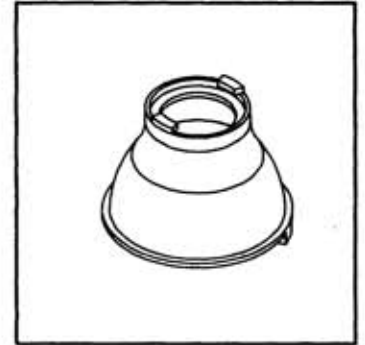
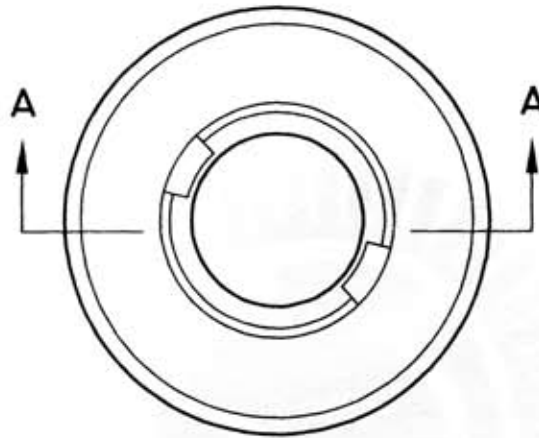


Please note that drawings are approximate and not to be used for engineering purposes – please contact us for specific dimensions.

## VALVE BOX B BONNET

B-VB

PLAN



SECTION A-A

MEASUREMENTS IN MILLIMETERS

**TROJAN INDUSTRIES INC.**  
CALGARY • EDMONTON, ALBERTA