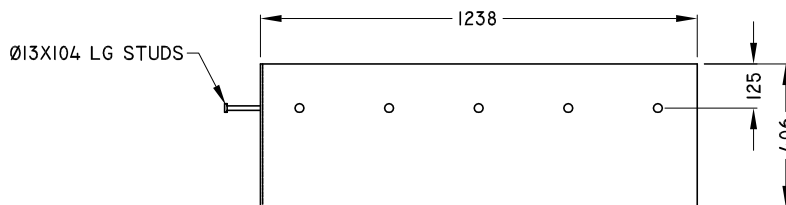
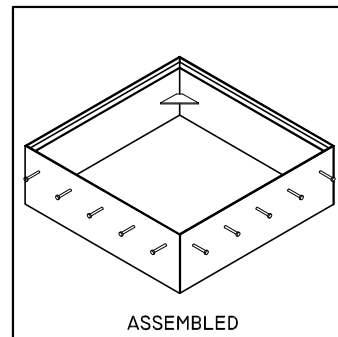
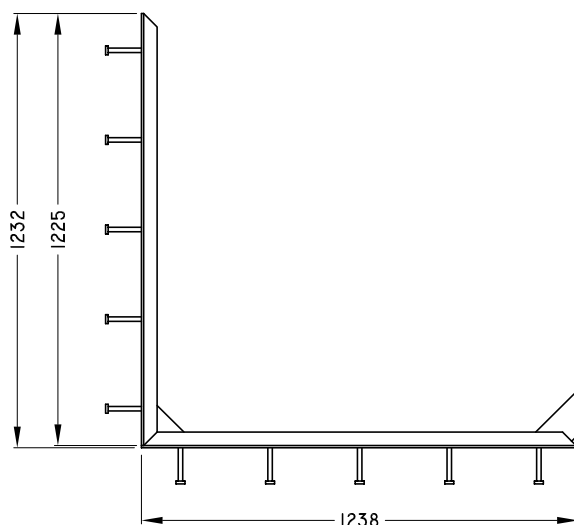




TREE WELL FRAME-2 PIECE

TWF-406 4848-2

PLAN



ELEVATION

MEASUREMENTS IN MILLIMETERS