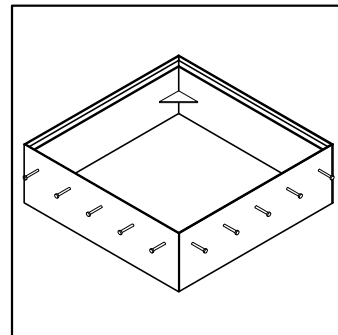
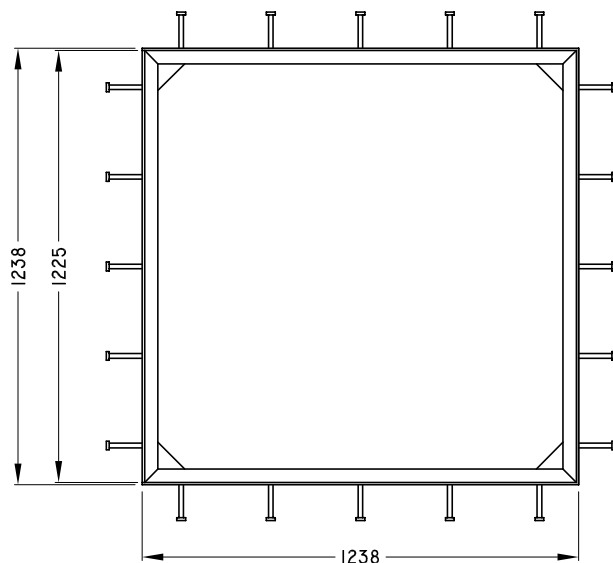




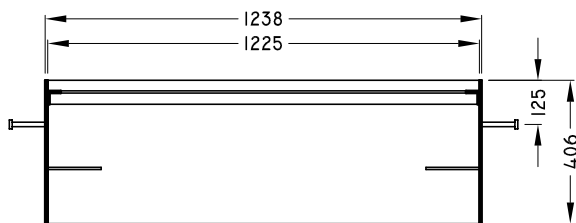
# TREE WELL FRAME

TWF-406 4848

PLAN



SECTION



MEASUREMENTS IN MILLIMETERS