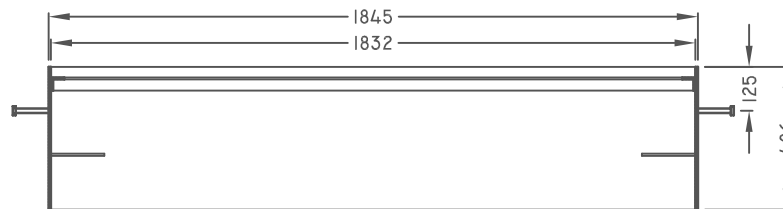
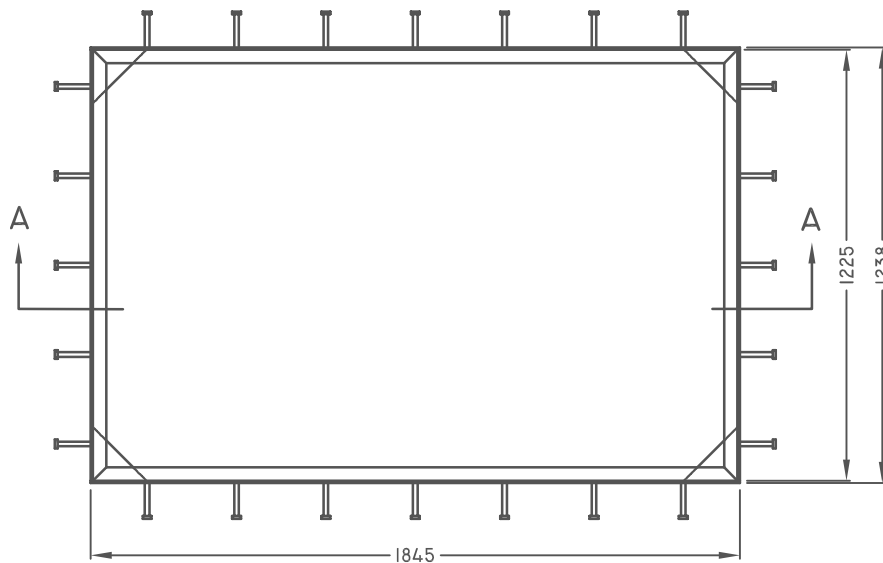
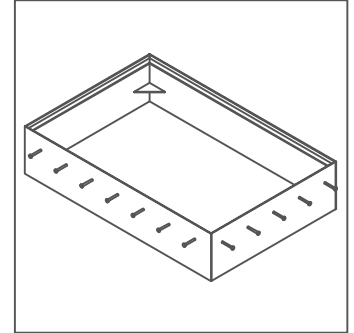




# TREE WELL FRAME 406

TWF-406

PLAN



SECTION A-A

NOTES:

- 1. STEEL CONSTRUCTION L38X38X6.5, GRADE 300W.
- 2. WELDING MUST BE DONE ON THE OUTSIDE AND AT THE BOTTOM.
- 3. HOT DIP GALVANIZED AFTER ASSEMBLY.

MEASUREMENTS IN MILLIMETERS