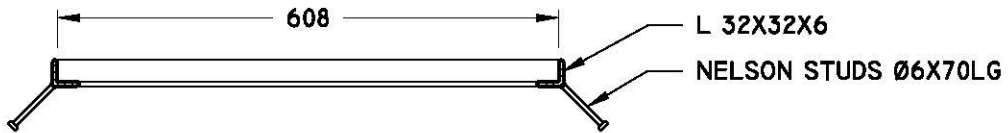
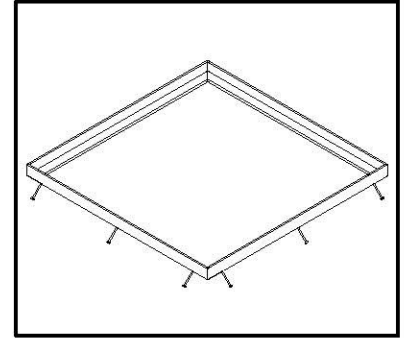
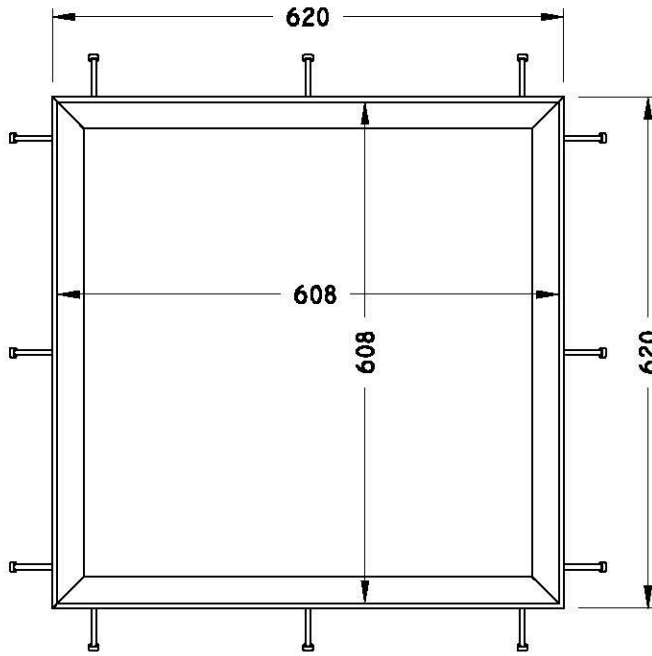




1.5" (38mm) ANGLE TREE FRAME

TGF-24X24

PLAN



SECTION

ISO 9001-2000 CERTIFIED

MEASUREMENTS IN MILLIMETERS

TROJAN INDUSTRIES INC.
CALGARY • EDMONTON, ALBERTA