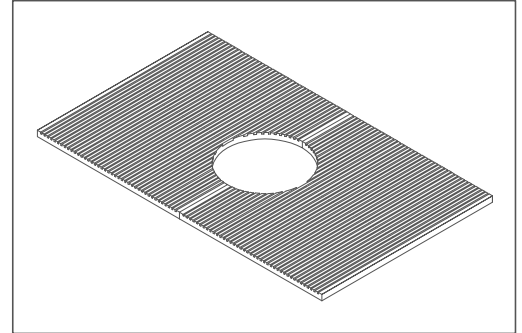


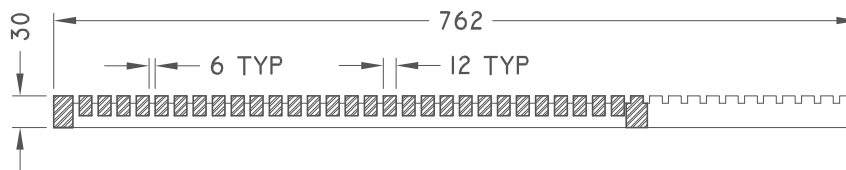
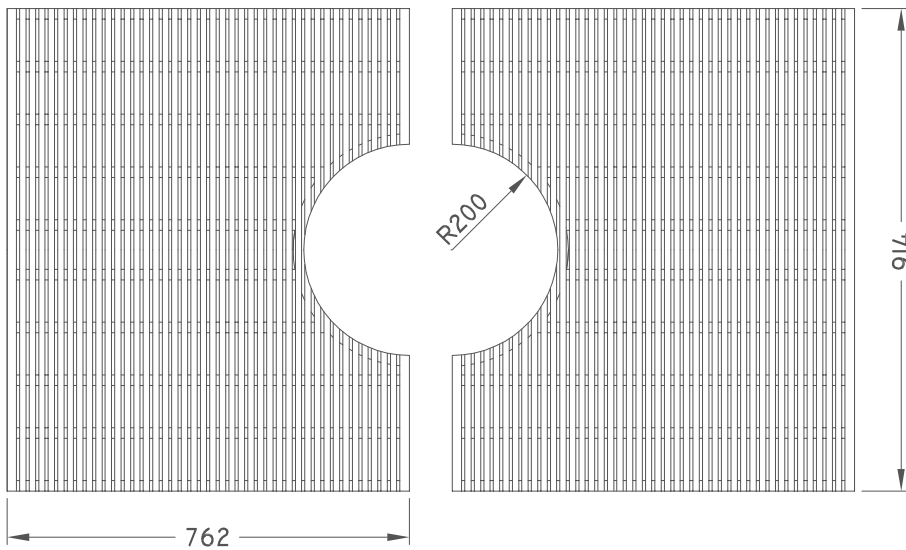


# TREE GRATE LINEAR 30-3660

TGL 30-3660



PLAN



SECTION

ISO 9001-2000 CERTIFIED

RATED FOR HS-20 LIVE LOAD

MEASUREMENTS IN MILLIMETERS

**TROJAN INDUSTRIES INC.**  
CALGARY • EDMONTON, ALBERTA