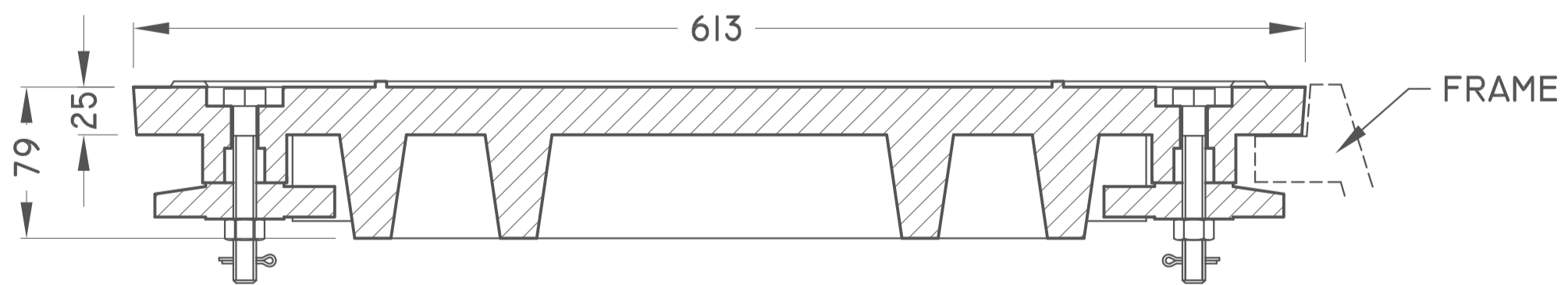
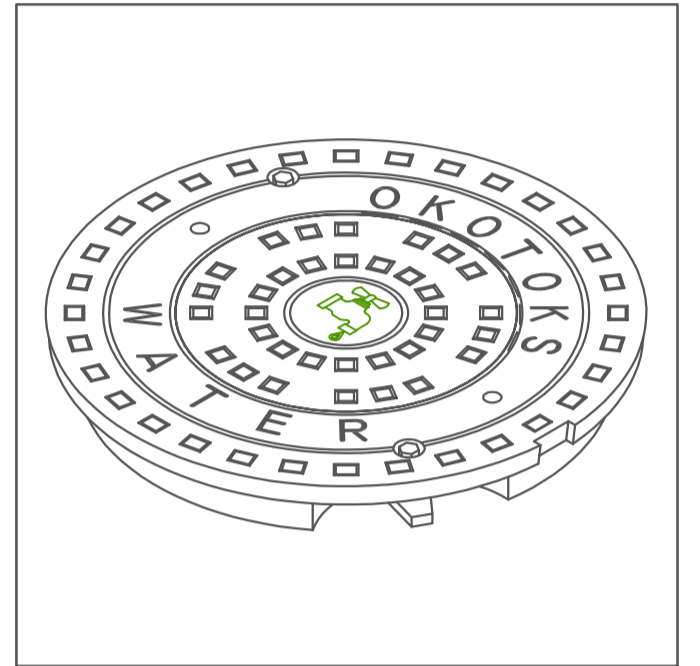
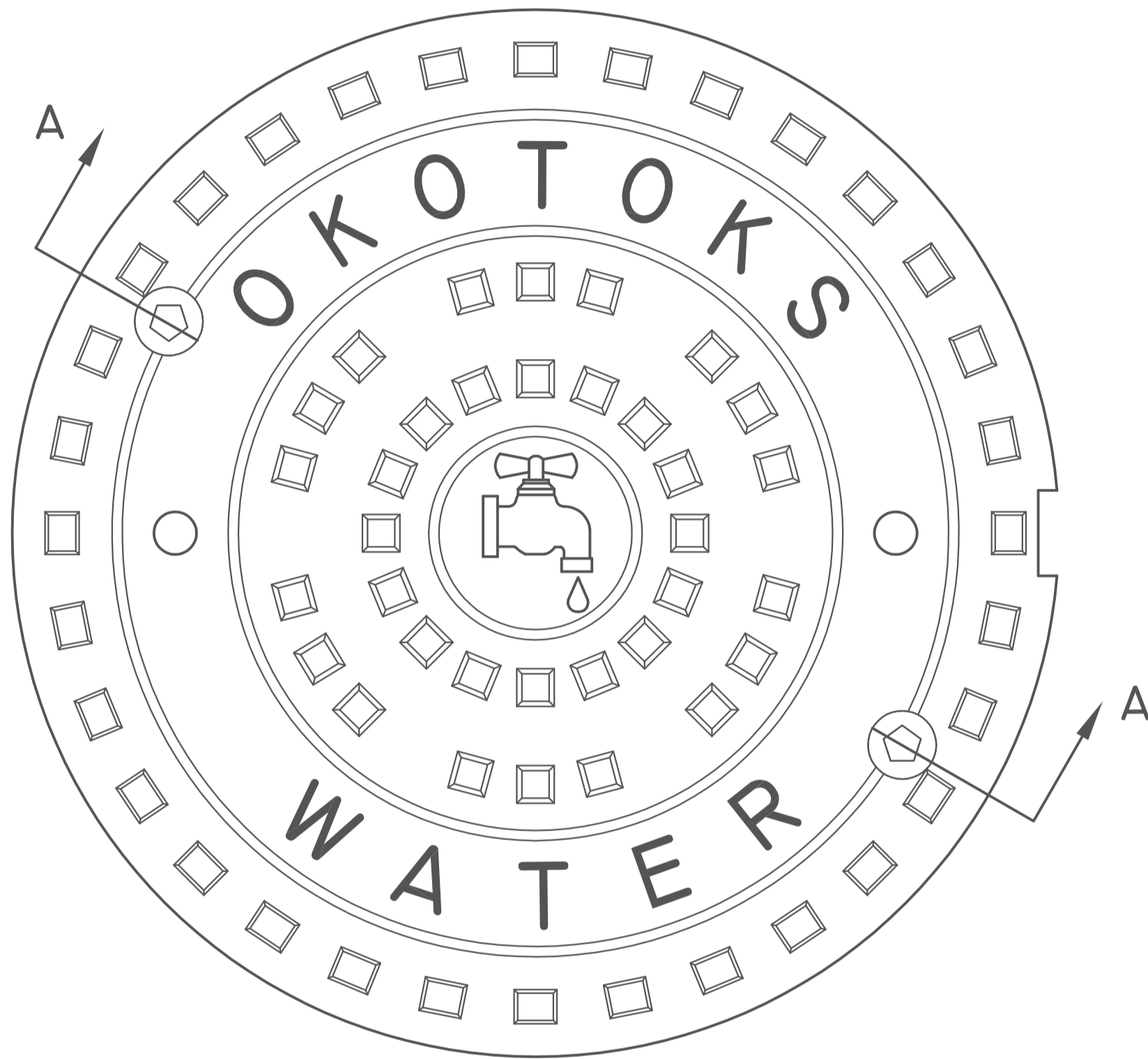




WATER DOUBLE LOCK COVER

TF-50

PLAN



SECTION A-A

ISO 9001-2000 CERTIFIED

RATED FOR HS-20 LIVE LOAD

MEASUREMENTS IN MILLIMETERS

TROJAN INDUSTRIES INC.

CALGARY • EDMONTON, ALBERTA