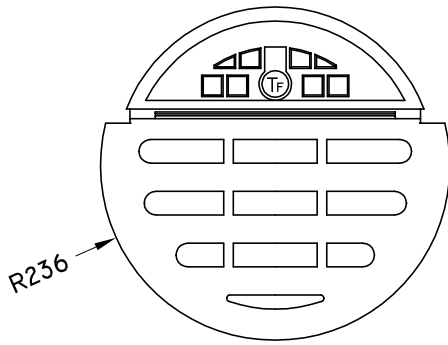


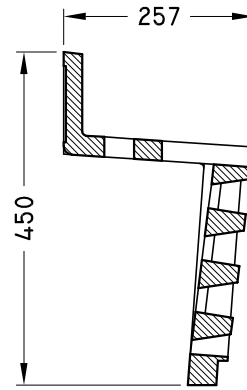


# ONE PIECE GRATE DIPPED

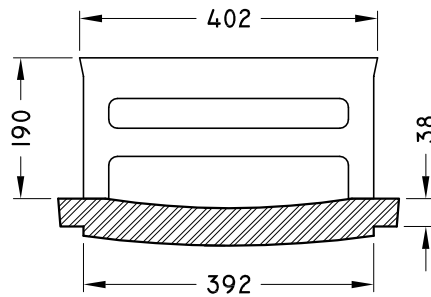
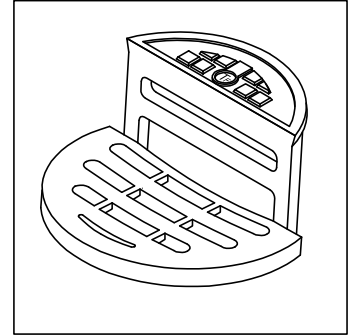
TF-36G IPC BP



PLAN



SECTION I



SECTION 2

ISO 9001-2000 CERTIFIED

RATED FOR HS-20 LIVE LOAD

MEASUREMENTS IN MILLIMETERS

**TROJAN INDUSTRIES INC.**  
CALGARY • EDMONTON, ALBERTA