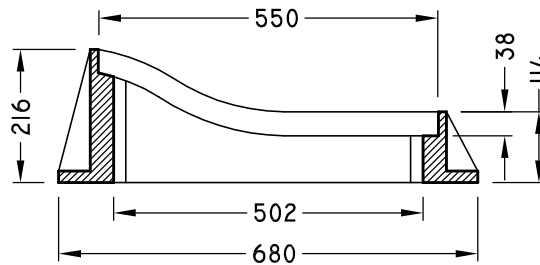
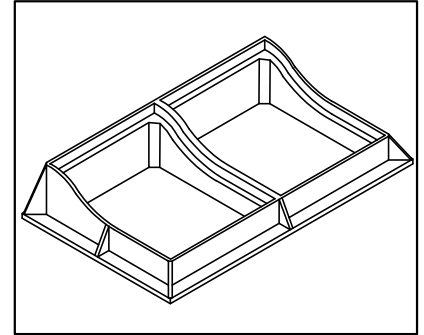
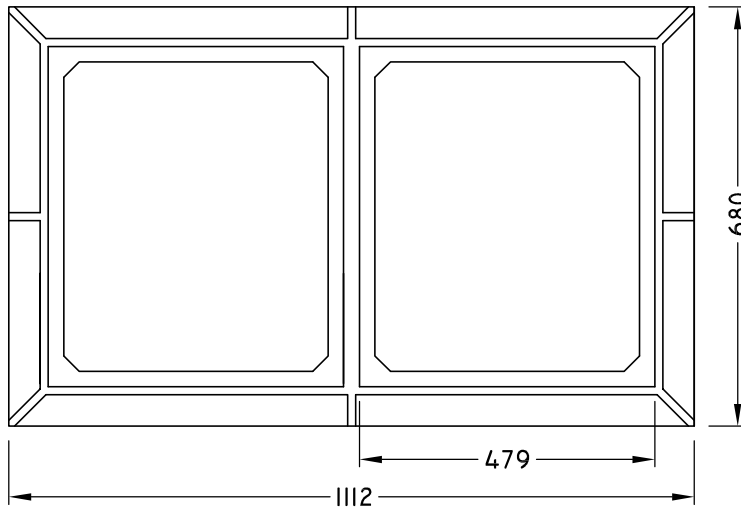




DOUBLE FRAME

T-K2F

PLAN



SECTION

ISO 9001-2000 CERTIFIED

RATED FOR HS-20 LIVE LOAD

MEASUREMENTS IN MILLIMETERS

TROJAN INDUSTRIES INC.
CALGARY • EDMONTON, ALBERTA