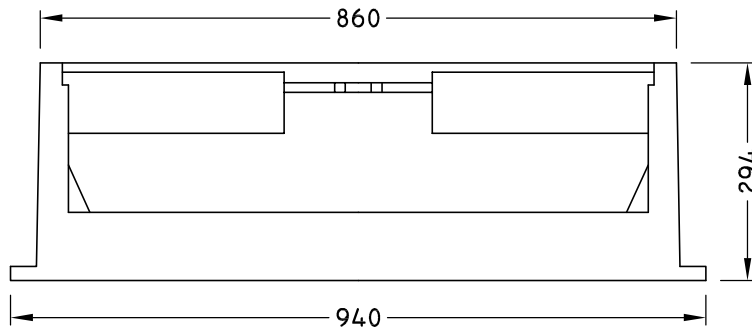
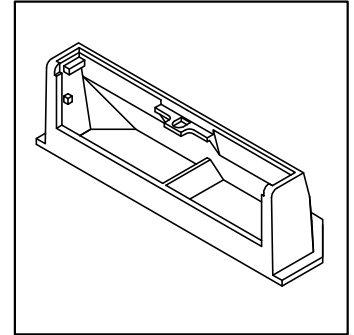
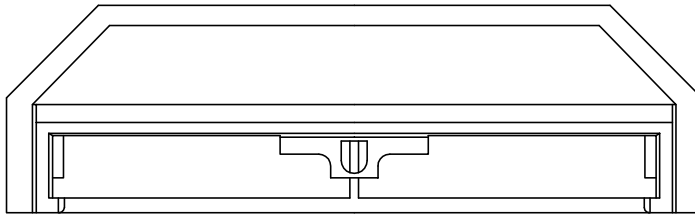




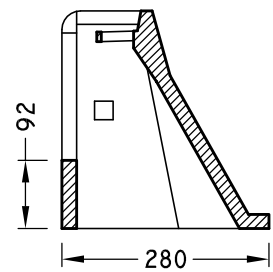
# TYPE "C" TWO PIECE SIDE INLET-FRAME

T-K1SIL

TOP VIEW



FRONT VIEW



SECTION

ISO 9001-2000 CERTIFIED

RATED FOR HS-20 LIVE LOAD

MEASUREMENTS IN MILLIMETERS

**TROJAN INDUSTRIES INC.**  
CALGARY • EDMONTON, ALBERTA