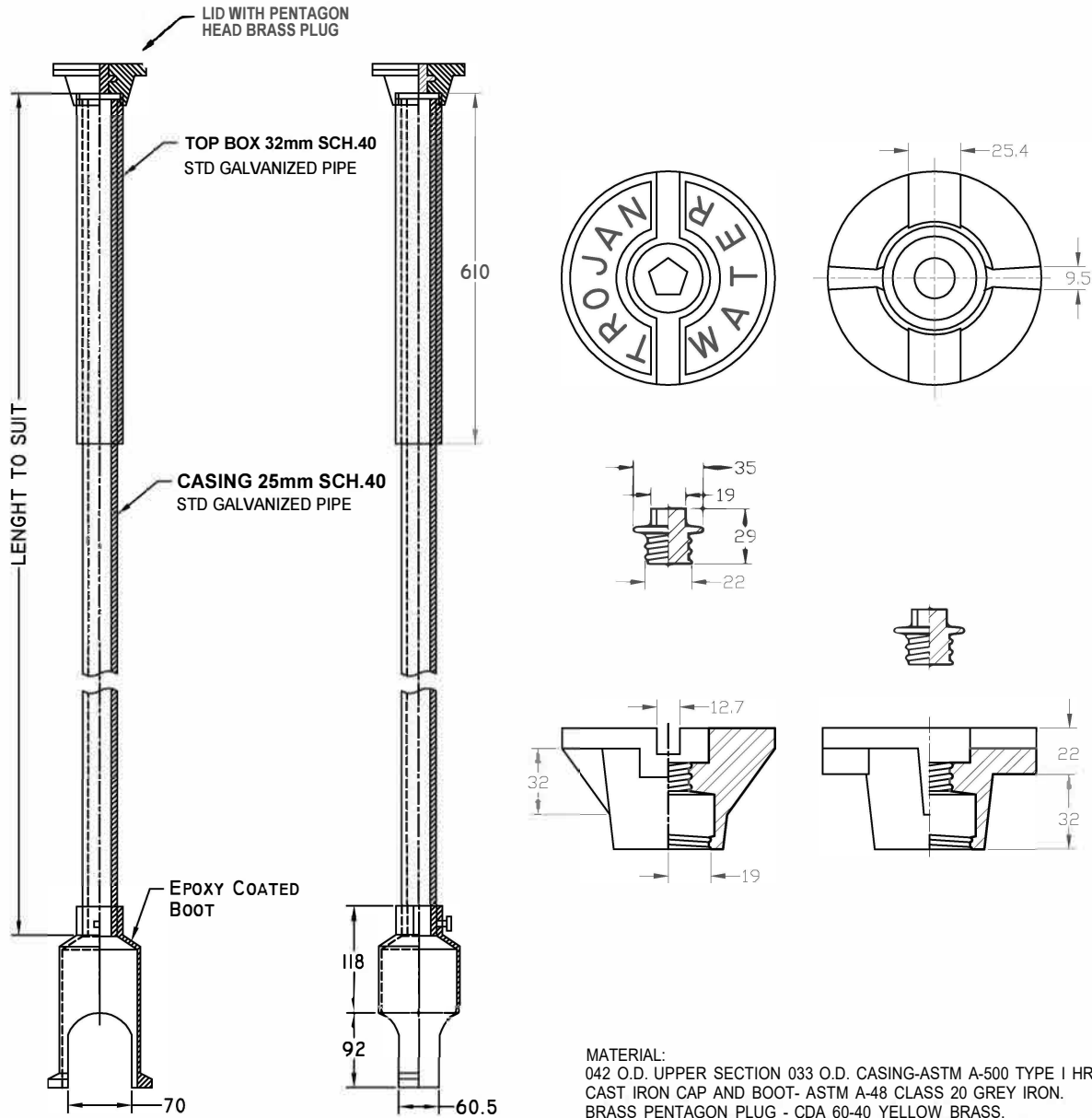




STANDARD TOP ADJUSTMENT SERVICE BOX c/w EPOXY COATED BOOT

SSB1-#C



MATERIAL:
 042 O.D. UPPER SECTION 033 O.D. CASING-ASTM A-500 TYPE I HRR STEEL.
 CAST IRON CAP AND BOOT- ASTM A-48 CLASS 20 GREY IRON.
 BRASS PENTAGON PLUG - CDA 60-40 YELLOW BRASS.

SMALL BOOT FOR 20MM AND 25MM SERVICE

DIMENSIONS ARE IN MILLIMETERS