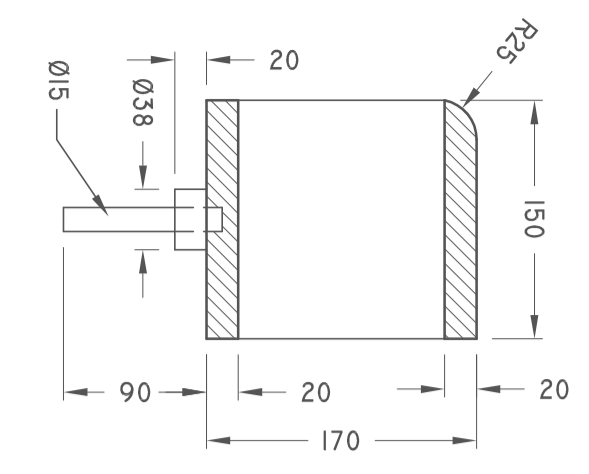
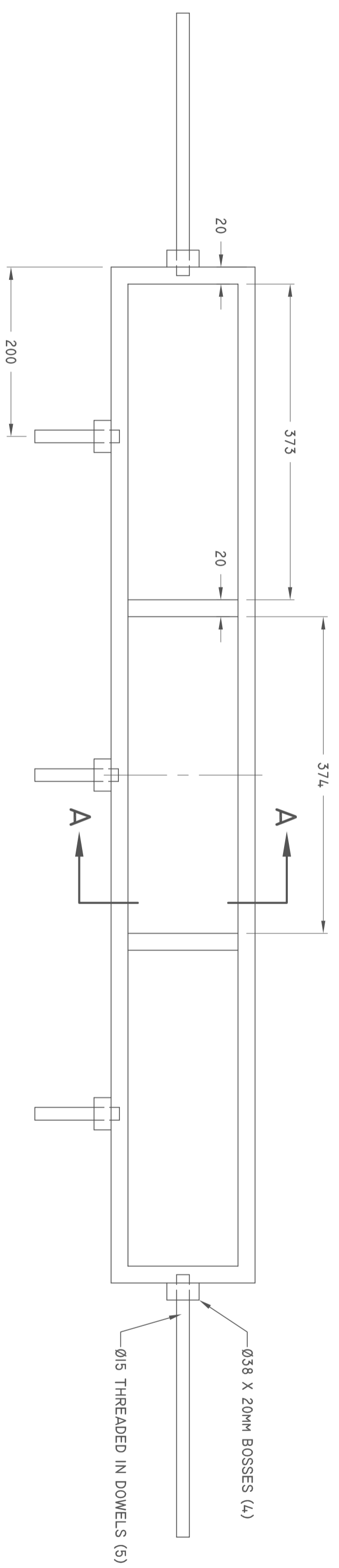


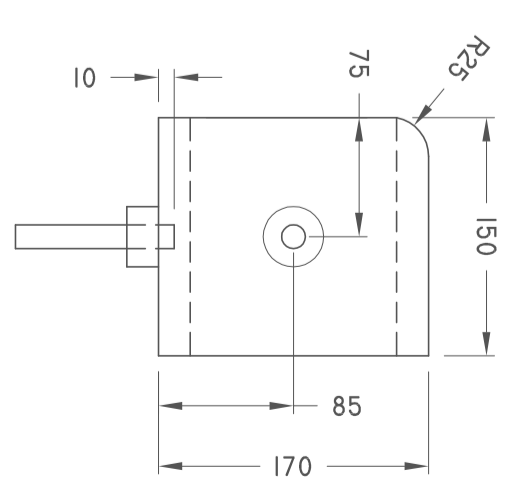
PLAN



SECTION A-A



FRONT VIEW



SIDE VIEW

MATERIAL SPECIFICATIONS:
 - DUCTILE IRON TO CONFORM TO GRADE 60-40-18
 ASTM A536 (LATEST EDITION).

NOTES:
 1. CASTING SHALL BE COATED
 WITH ASPHALT VARNISH.
 2. DIMENSIONS ARE MILLIMETERS.

NO.	DATE	REVISION	BY

FLOW THROUGH SIDE INLET 1200

TROJAN INDUSTRIES INC.

SCALE:	DATE:	DRAWING NO:
NTS	OCT 25, 2016	FTSI 1200
DRAWN BY:	ENGINEER:	REV:
J.P.		