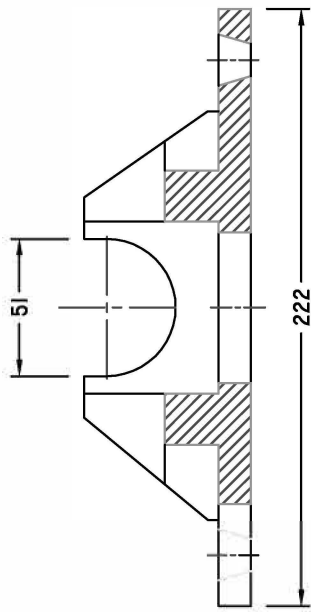


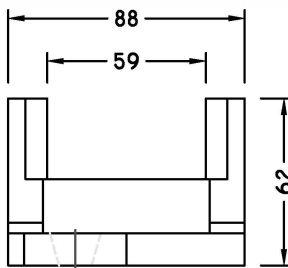
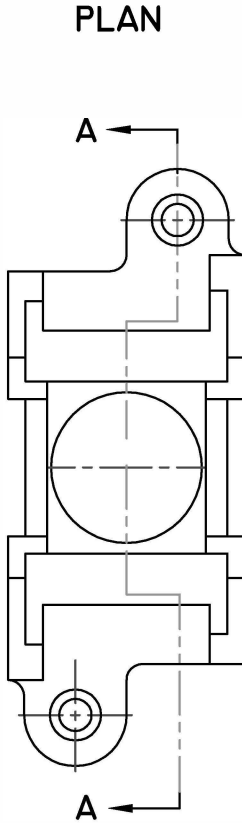


CURB CHAIR FOR 25MM VALVE

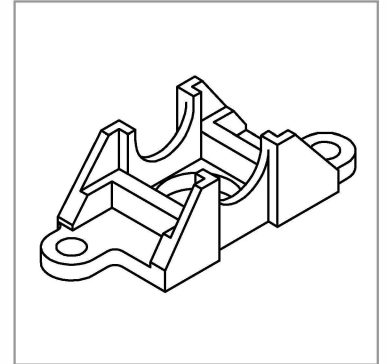
CC-Chair2



SECTION A-A



END VIEW



MEASUREMENTS IN MILLIMETERS