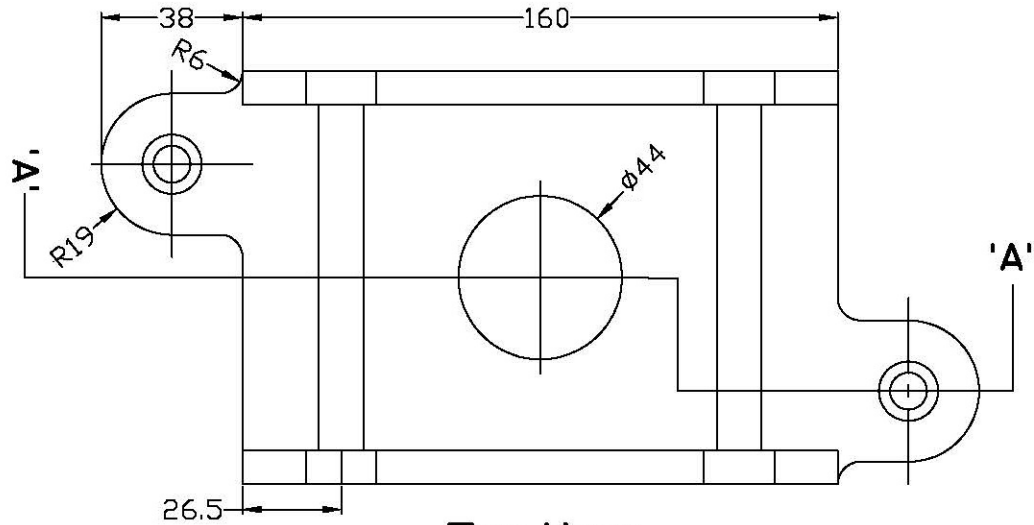




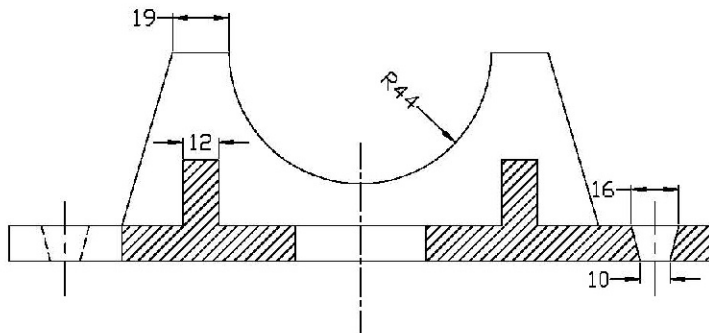
Please note that drawings are approximate and not to be used for engineering purposes - please contact us for specific dimensions.

2" CC CHAIR

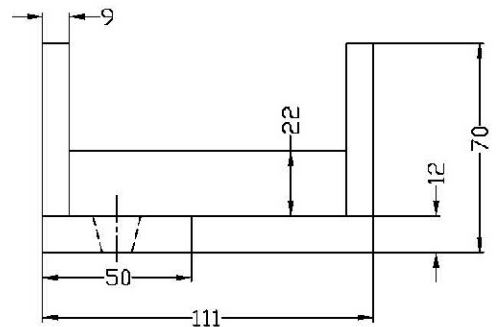
CC-CHAIR4



TOP VIEW



SECTION 'A-A'



SIDE VIEW

ISO 9001-2000 CERTIFIED

MEASUREMENTS IN MILLIMETERS

TROJAN INDUSTRIES INC.

CALGARY • EDMONTON, ALBERTA