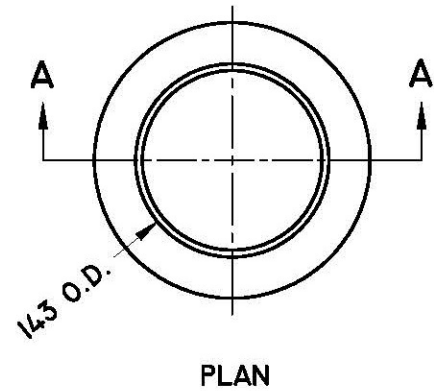
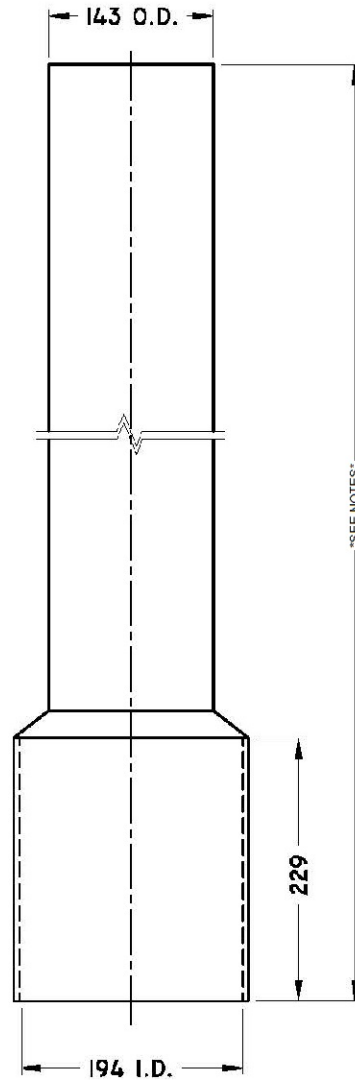




Please note that drawings are approximate and not to be used for engineering purposes - please contact us for specific dimensions.

TYPE A PVC BOTTOM SECTION

7110-8 / 7110-10 / 7110-12



*NOTE: AVAILABLE SIZES ARE, 2,440, 3,050 & 3,660

Used with, 7105, 7105-30 & 7105-36

RATED FOR HS-20 LIVE LOAD

MEASUREMENTS IN MILLIMETERS

TROJAN INDUSTRIES INC.
CALGARY • EDMONTON, ALBERTA