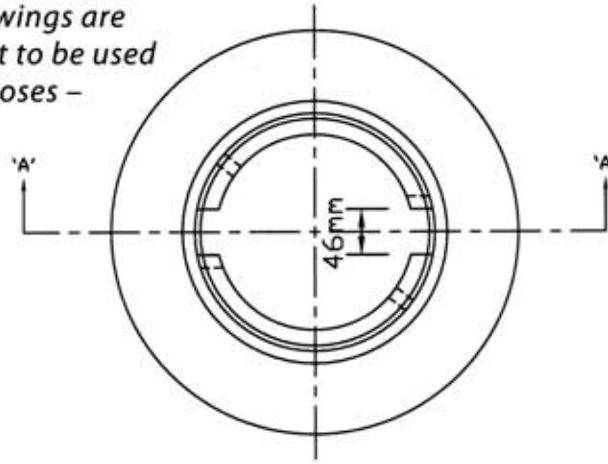
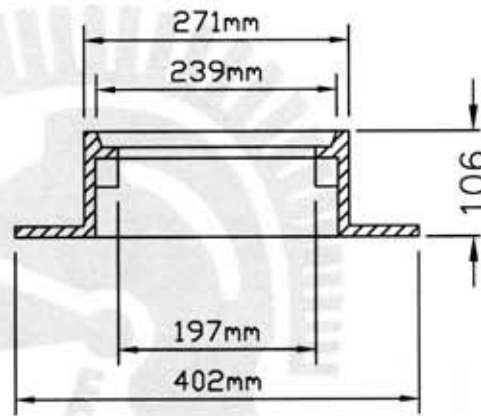




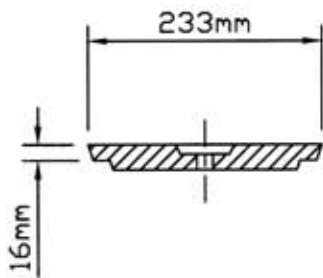
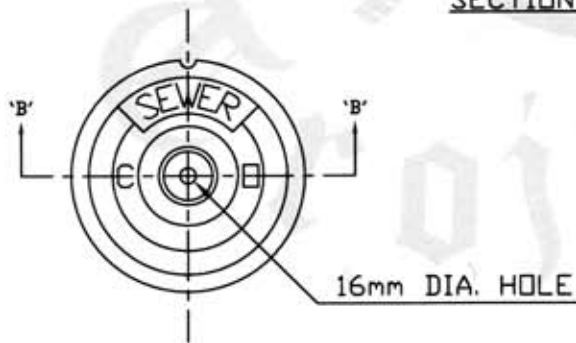
Please note that drawings are approximate and not to be used for engineering purposes - please contact us for specific dimensions.



PLAN

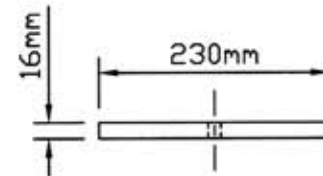
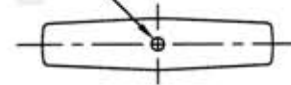


SECTION A-A



SECTION B-B

13mm N.C. THREAD



LOCKING BAR

APPROX. WT.
27kg

RATING-HWY LOAD

200 CLEANOUT

NO.
D-14A

TROJAN INDUSTRIES INC.
CALGARY • EDMONTON, ALBERTA